



1/32

DH-100 Vampire F Mk.3

Made in Czech Republic

INF 3203 → FUSELAGE LENGTH 293 MM.

ambosou 7-11 / traver

Úvod

CZ De Havilland DH-100 Vampire byla druhá britská proudová stíhačka provozovaná RAF, po Glosteru Meteor. První poháněná jediným proudovým motorem Goblin. Vývoj Vampire začal v roce 1941 a do řadové služby přišel až po skončení 2. světové války. Bylo vyrobeno 3268 Vampirů, které sloužily v různých modifikacích v mnoha vojenských letectvech po celém světě.

Introduction

EN The de Havilland Vampire is a British jet fighter. It was the second jet fighter to be operated by the RAF, after the Gloster Meteor, and the first to be powered by a single jet engine. Development of the Vampire began in 1941 and May 1944 it was decided to produce as an interceptor for the Royal Air Force. 3268 Vampires had been manufactured in different versions.

Doporučujeme / We recommend

Additional sets for DH-100 Vampire kits:

- > INF3203 1+ F Mk.3 Photoetched detail set
- > INF3203 2+ FB Mk.5 Photoetched detail set
- > INF3203 3+ F Mk.3 Wheel set
- > INF3203 4+ FB Mk.5 Wheel set
- > INF3203 5+ F Mk.3 Wing tip's navigation lights
- > INF3203 6+ Landing flaps
- > INF3203 7+ Weapon set - bombs
- > INF3203 8+ Weapon set - rockets
- > INF3203 9+ Nose weight



Ohnout
Bend



Vrtat
Drill



Volba
Option



Upravit
File



Vyrobít
Scratch build



Vteřinové lepidlo
Cyanoacrylate glue



Odstranit
Remove



Otisk
Decal



Barva
Colour



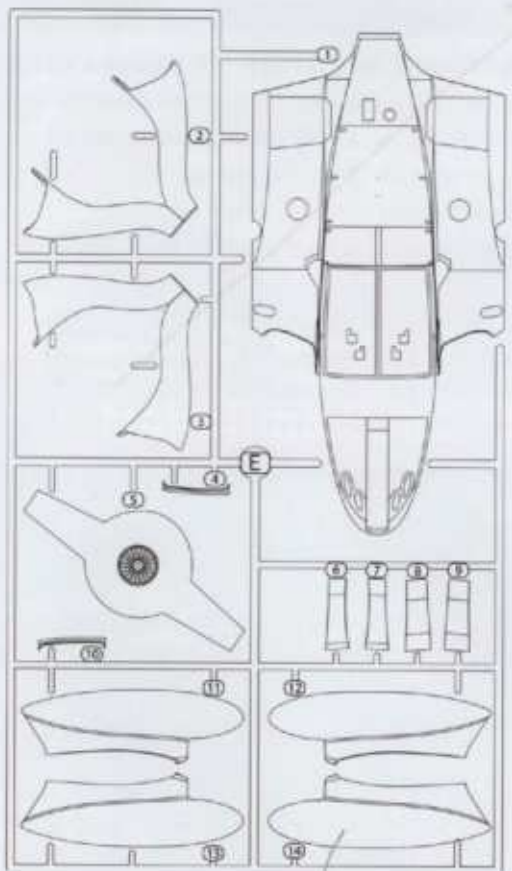
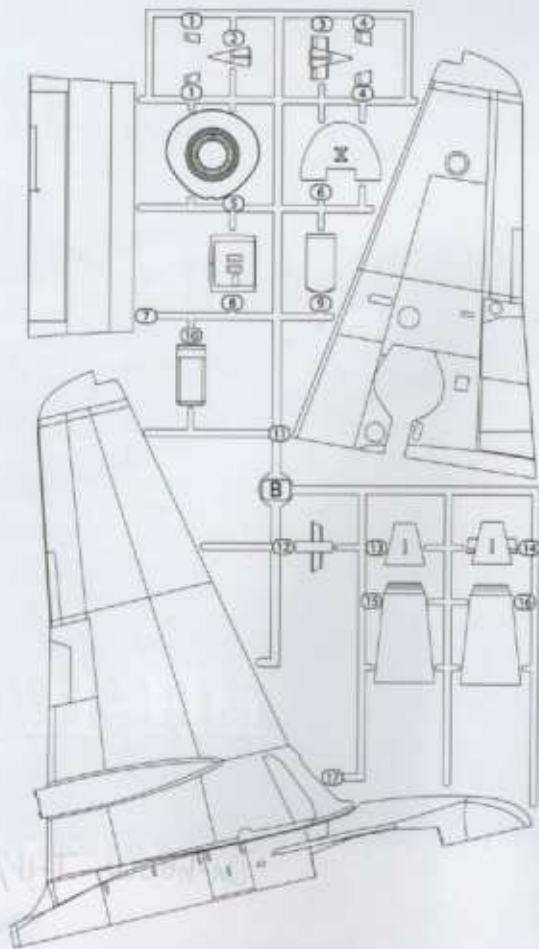
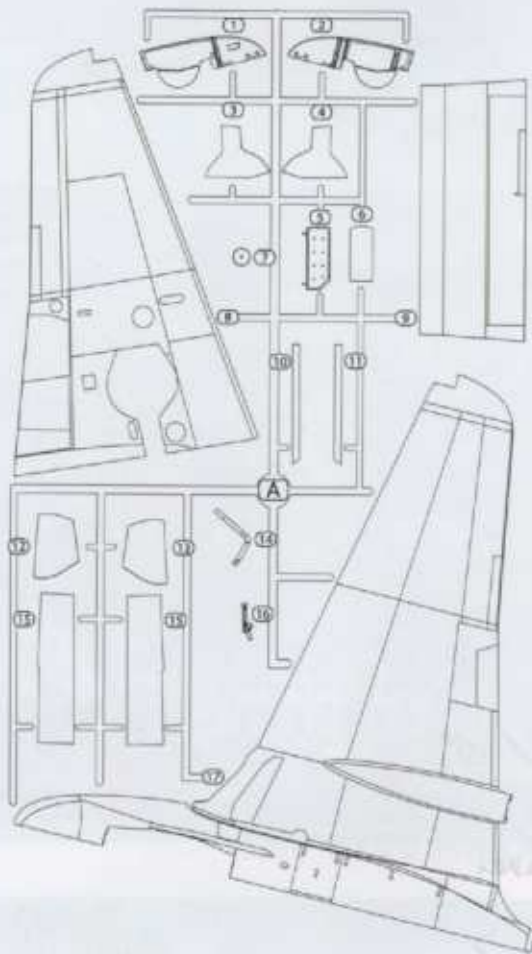
Tmelit
Fill



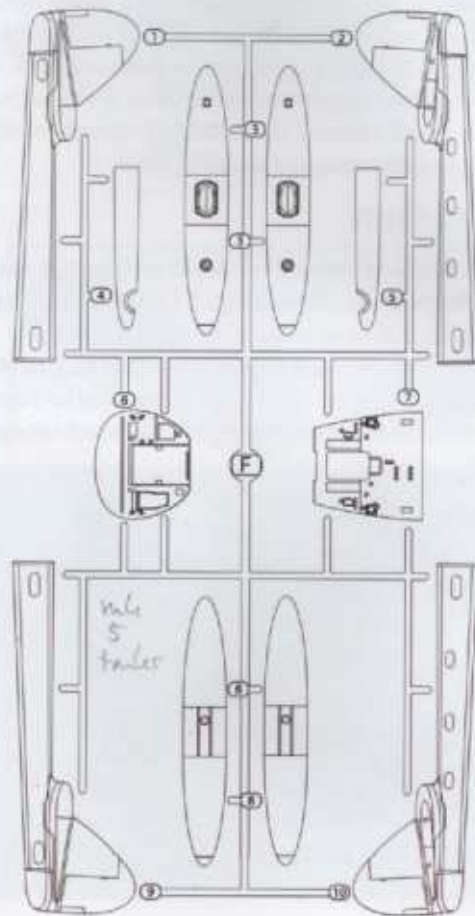
Průhledná folie
Transparent foil

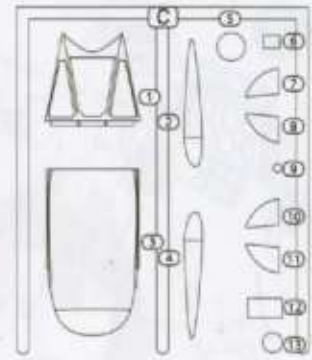
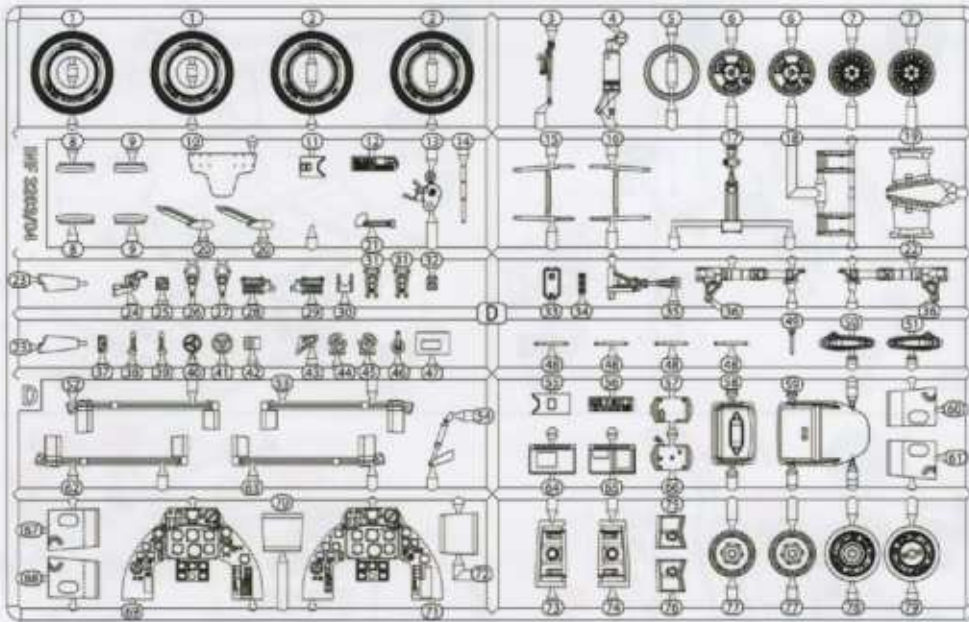


Symetrická montáž
Symmetrical assembly

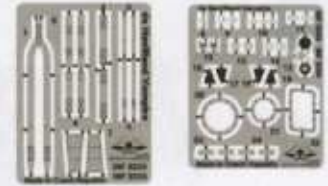


mk 3 / trailer





PHOTOETCHED PARTS



DECAL SHEET



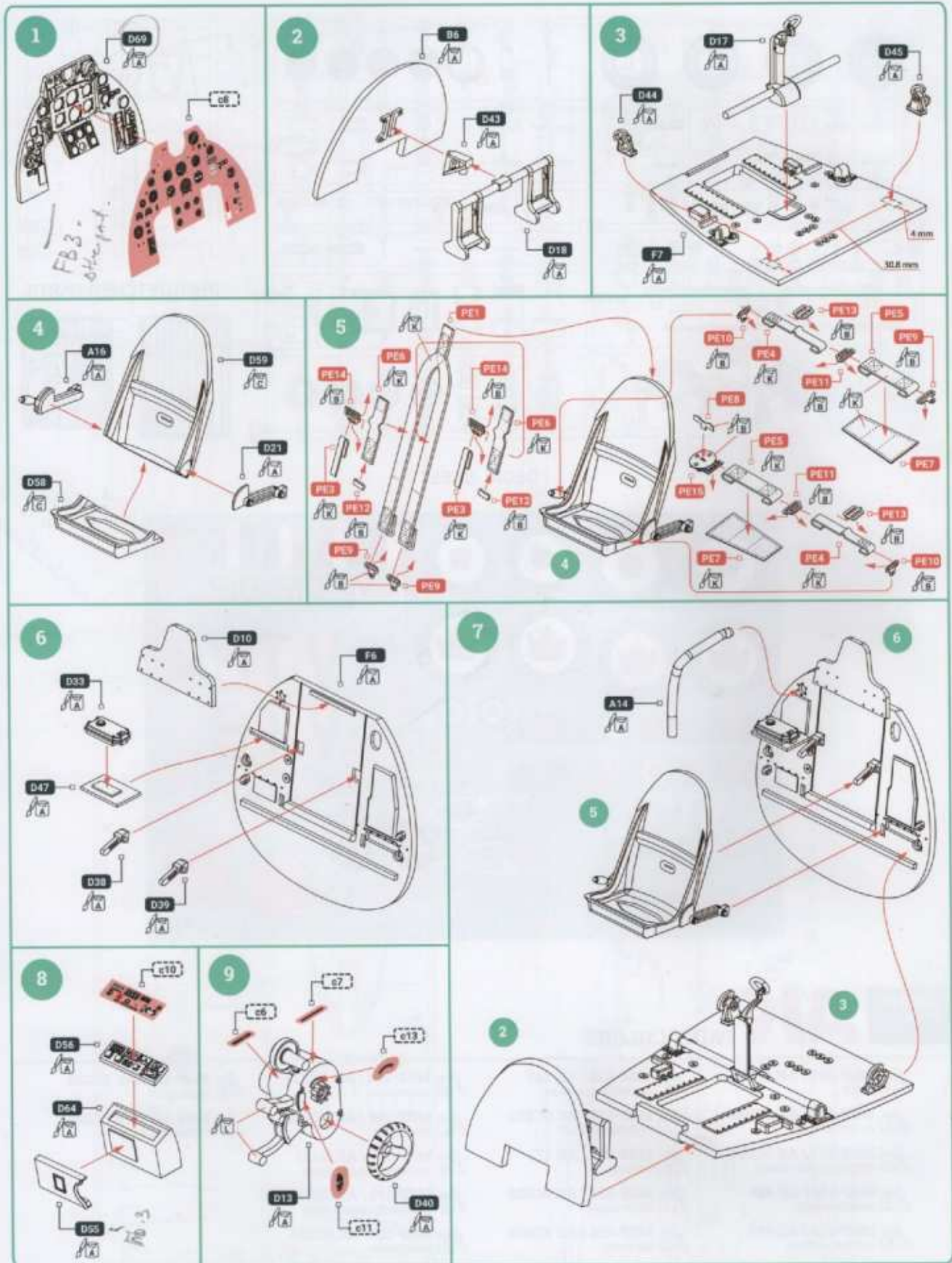
+ RESIN
"FAN"
=omichbaal!

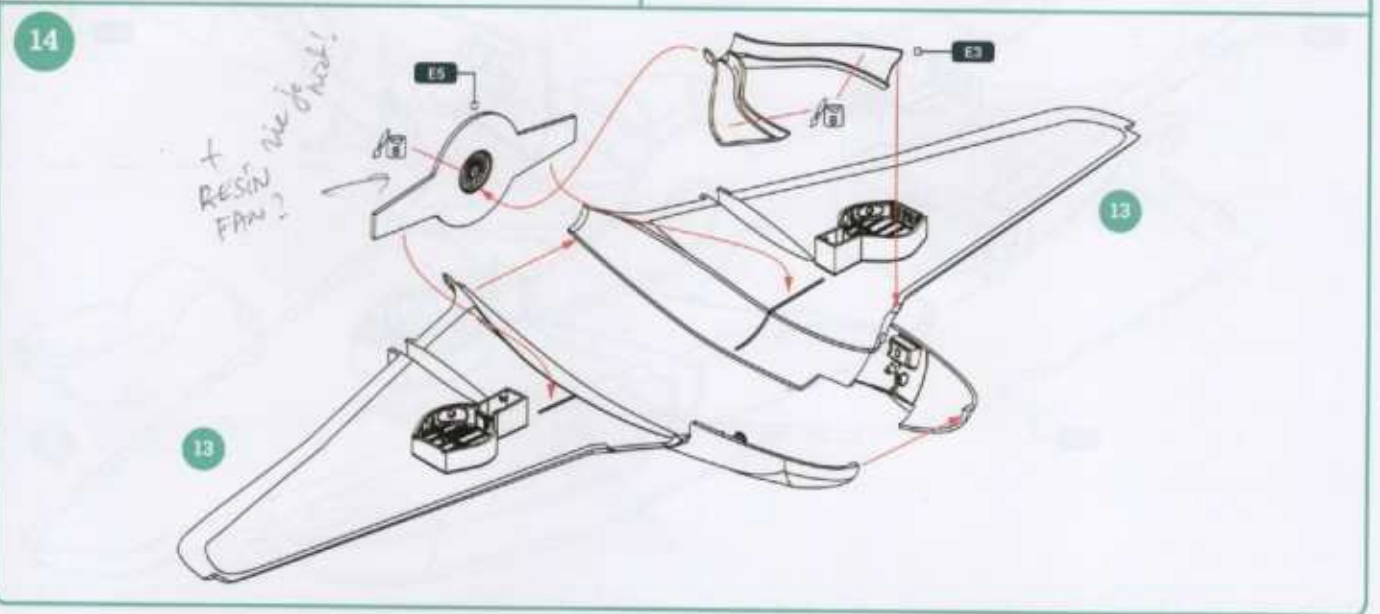
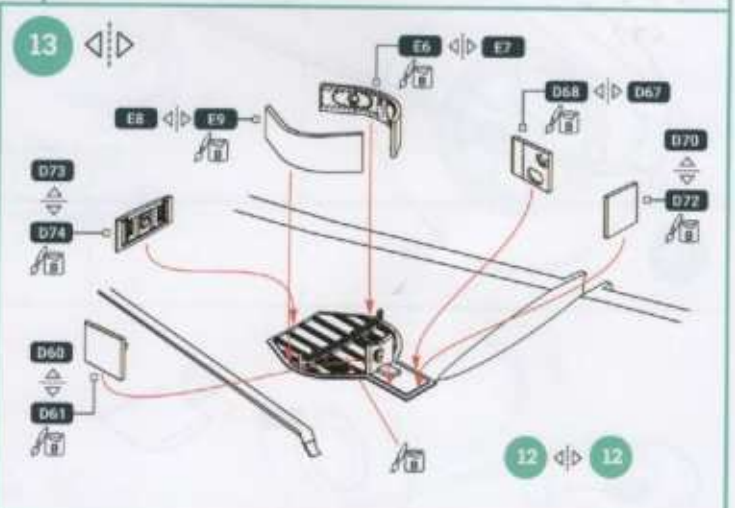
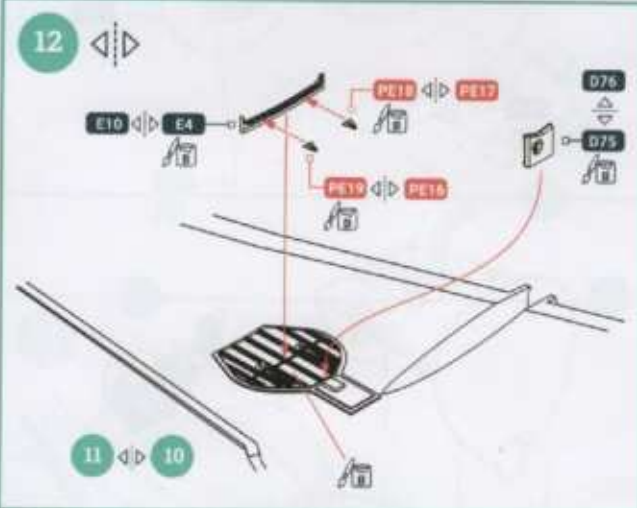
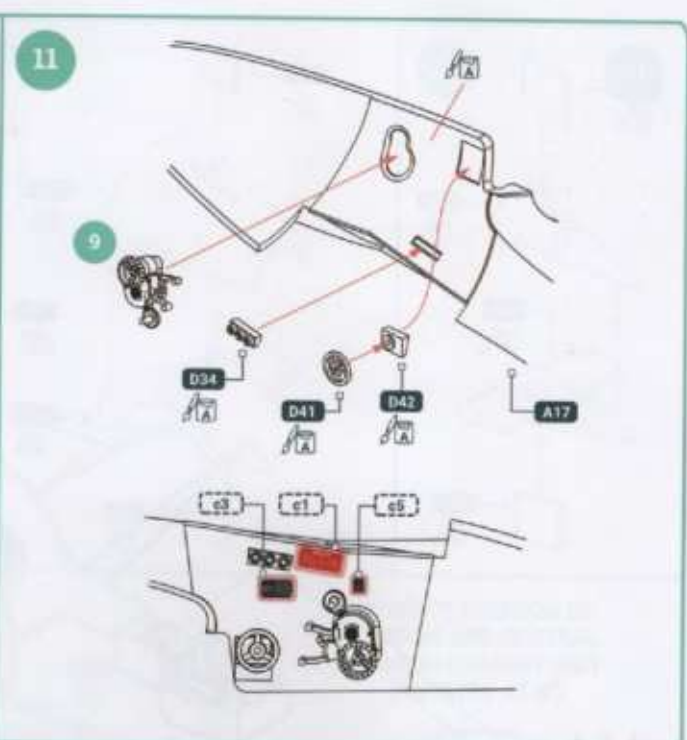
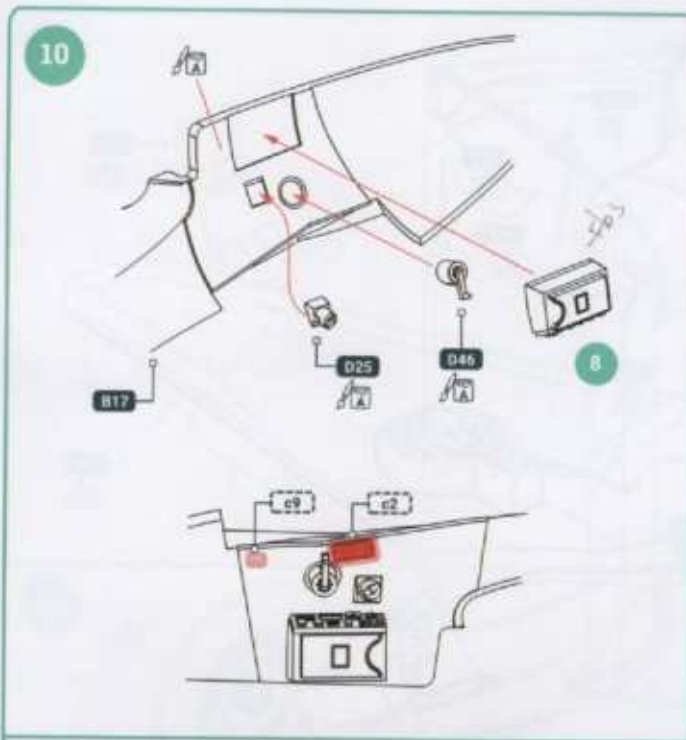


AK

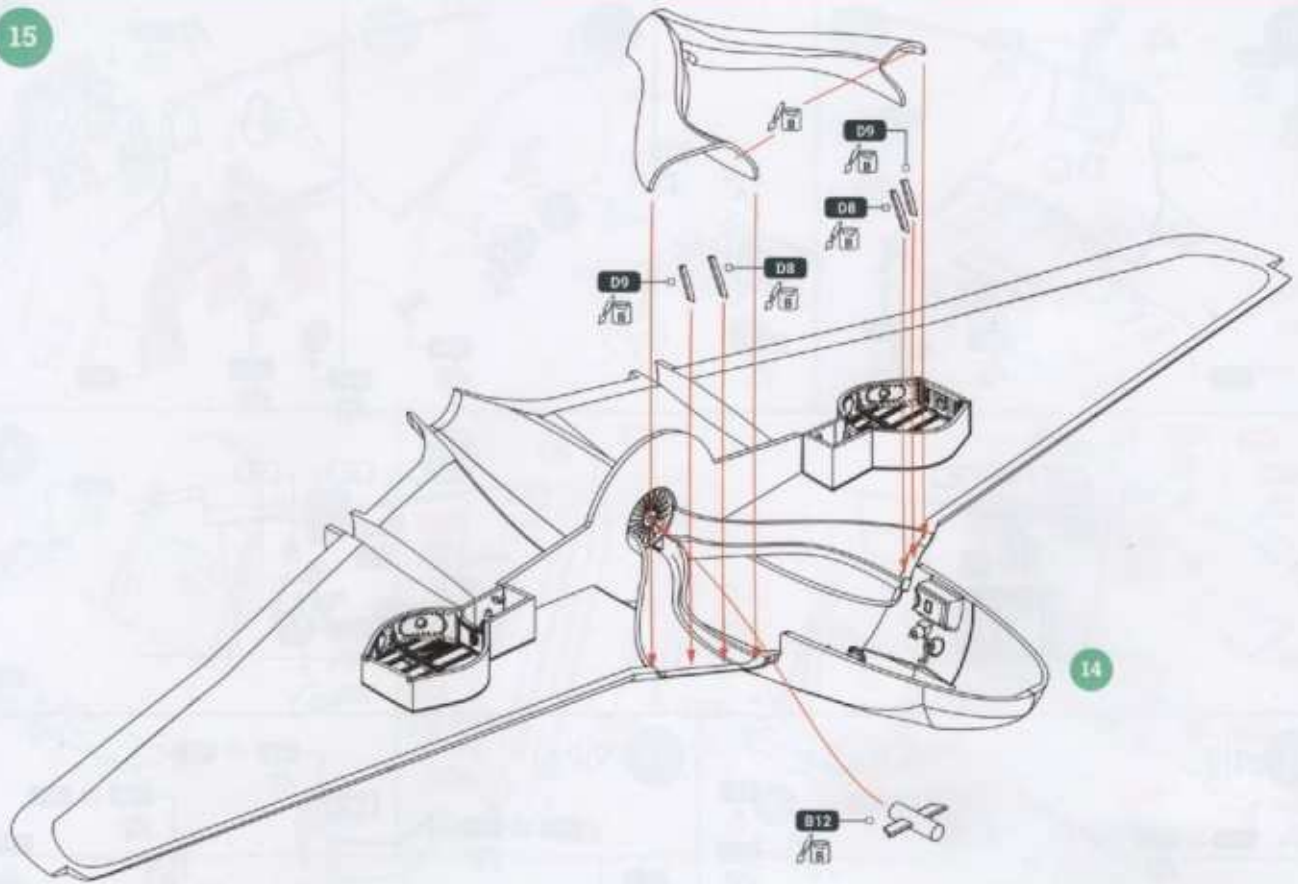
PAINT COLORS

- | | | | |
|--|---|--|--|
| MRP-005 / AK RC001
BLACK | MRP-081 / AK 482
ANODIZED ALUMINIUM | MRP-244 / AK RC223
TAN FS20400 | MRP-115 / AK RC288
OCEAN GREY |
| MRP-128 / AK RC020
SILVER METALLIC | MRP-173 / AK RC022
TYRE-RUBBER MATT | MRP-184 / AK RC005
SIGNAL RED | MRP-112 / AK RC289
MEDIUM SEA GREY |
| MRP-233 / AK RC224
SPECIAL BROWN FS30140 | MRP-031 / AK 477
CHROME | MRP-217 / AK 11155
SWEDISH OLIVE GREEN 325 | |
| MRP-148 / AK 486
EXHAUST METAL | MRP-268 / AK RC505
GREEN CLEAR | MRP-175 / AK RC237
SWEDISH BLUE-GREY 058M | |
| MRP-009 / AK 479
WHITE ALUMINIUM | MRP-266 / AK RC503
RED CLEAR | MRP-110 / AK RC286
DARK GREEN | |

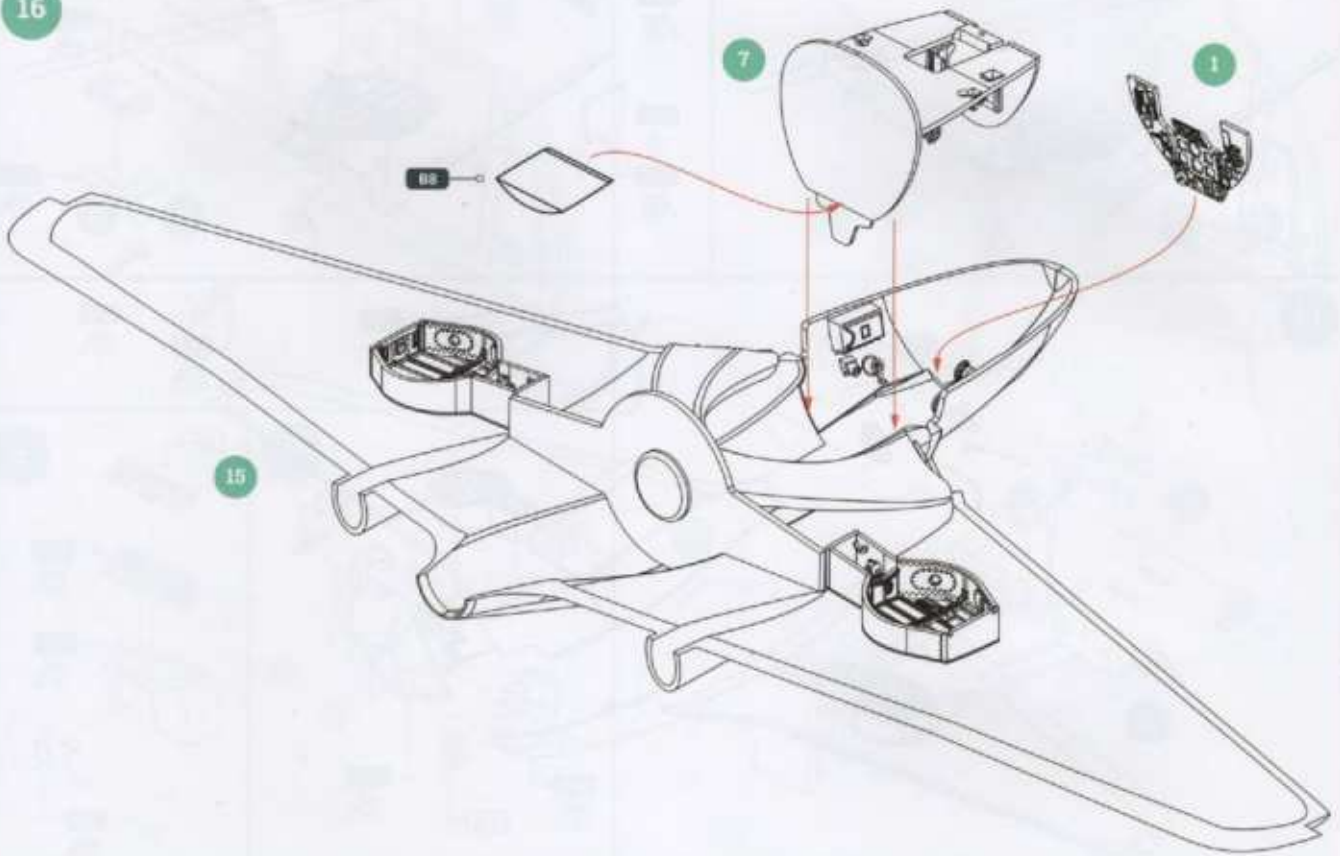


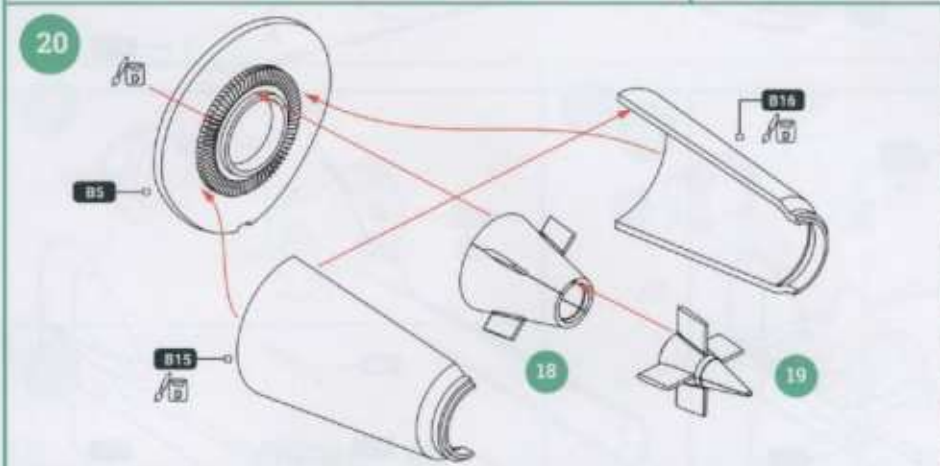
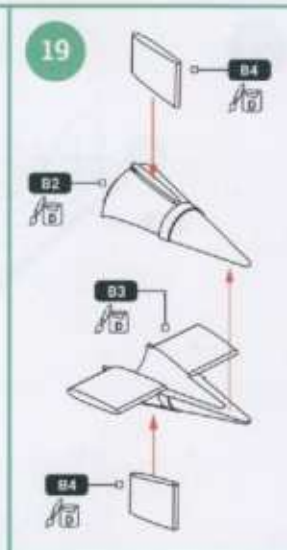
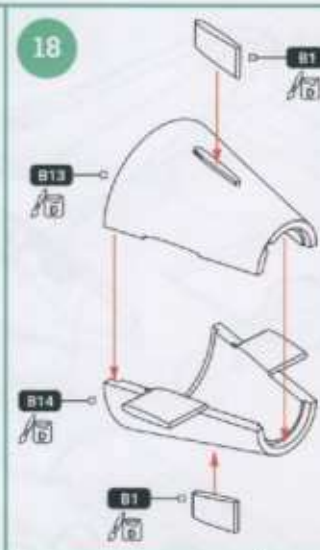
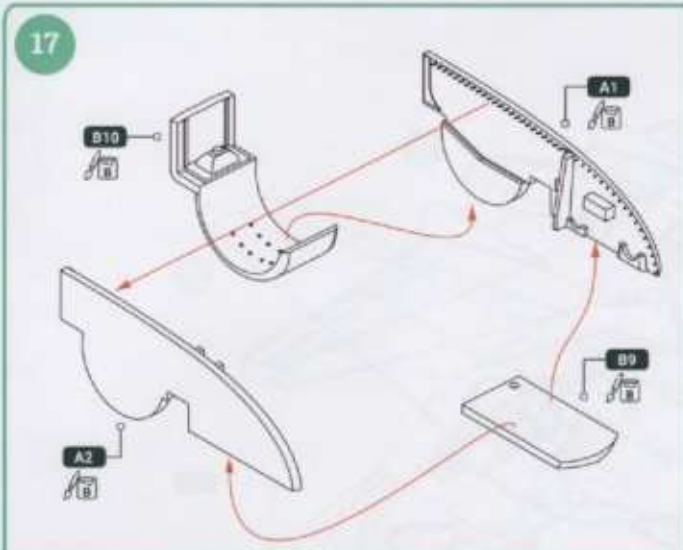


15

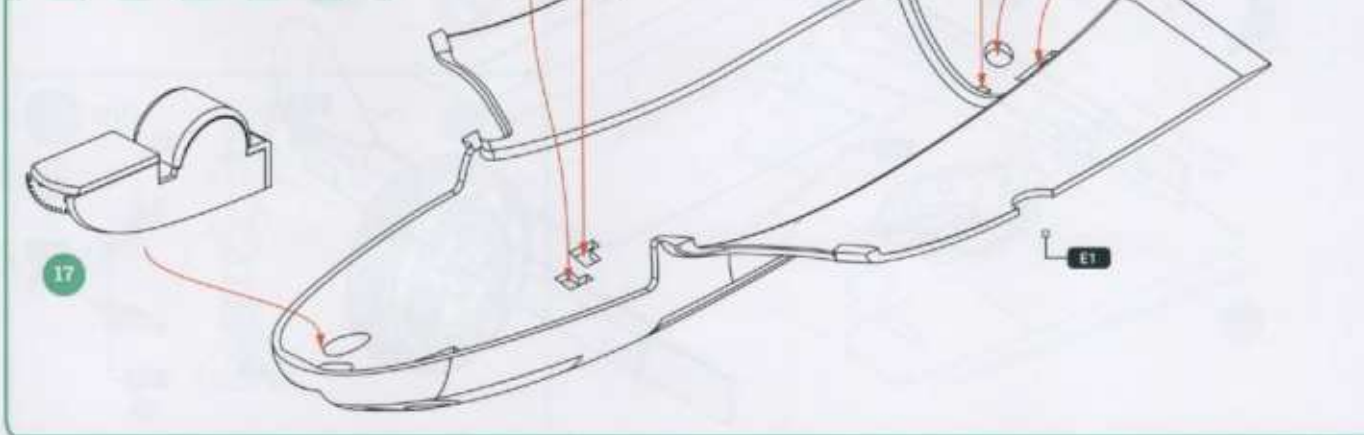
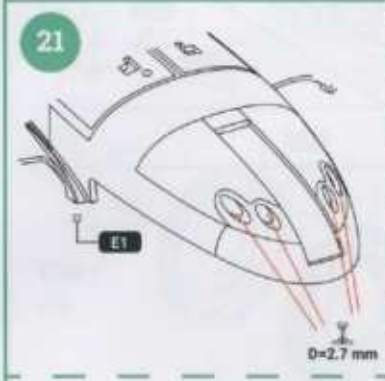
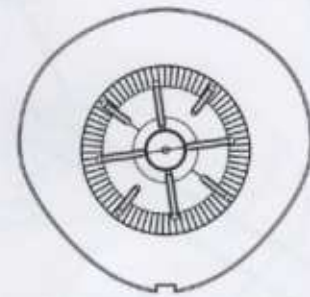


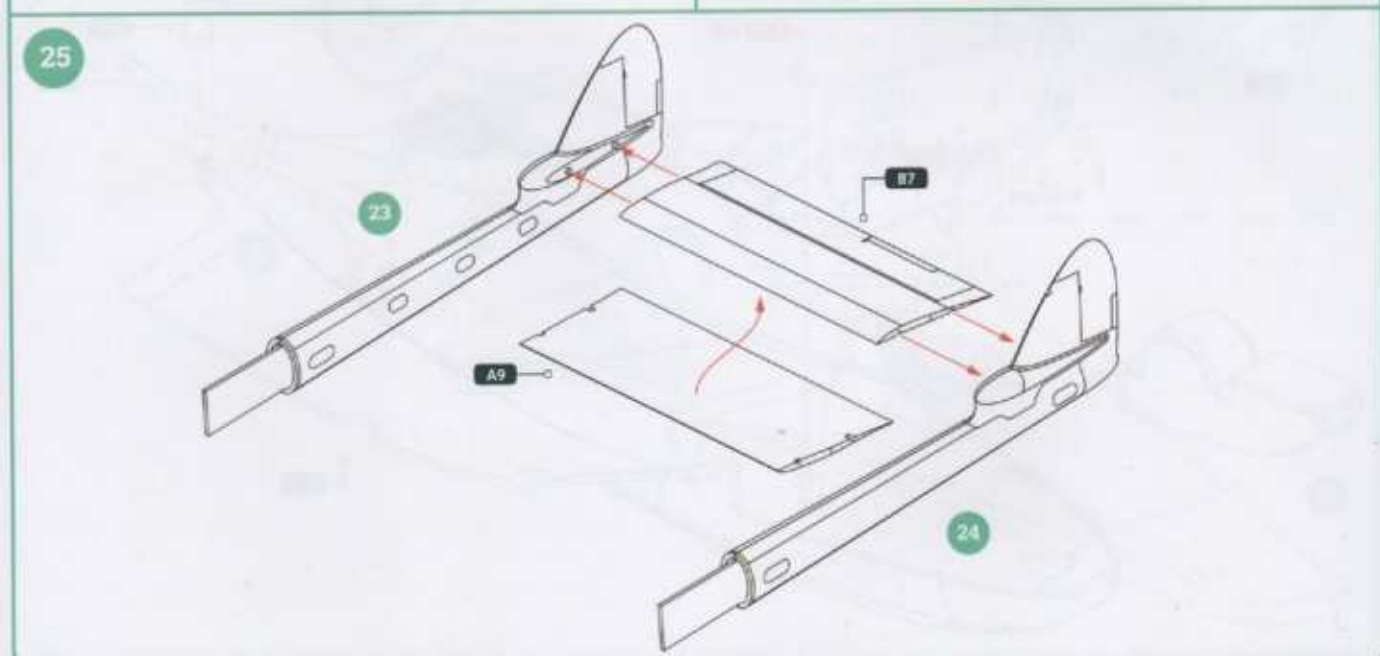
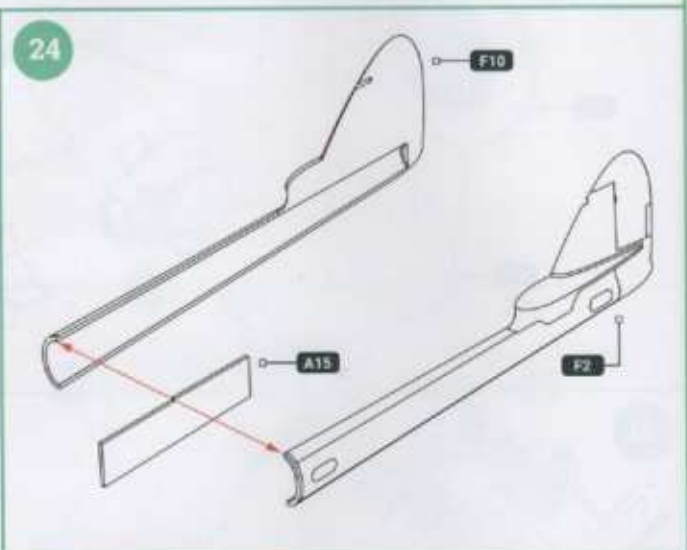
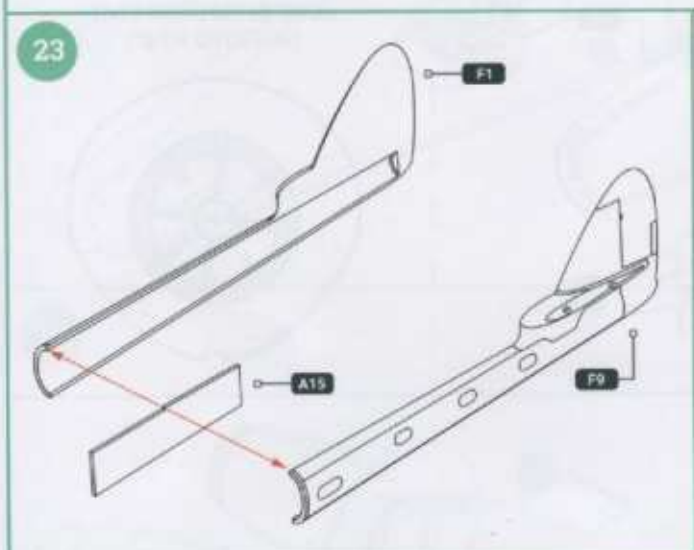
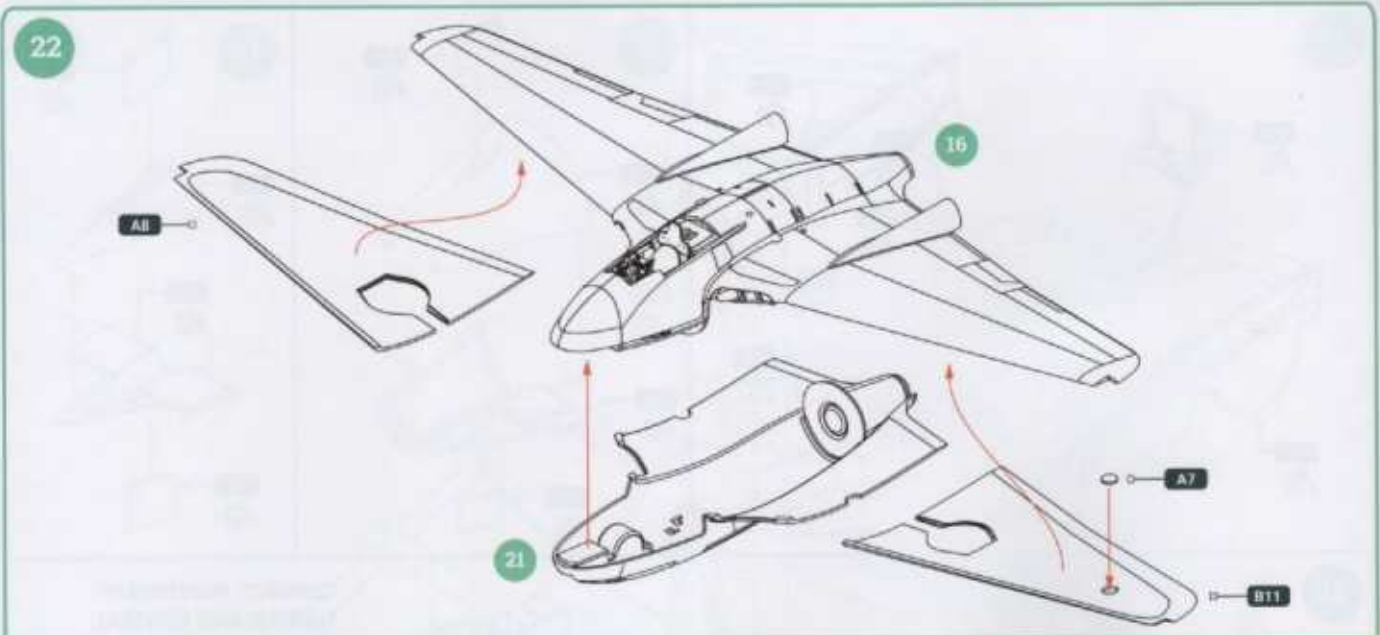
16

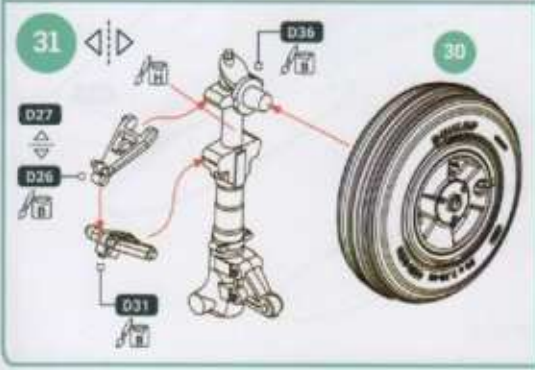
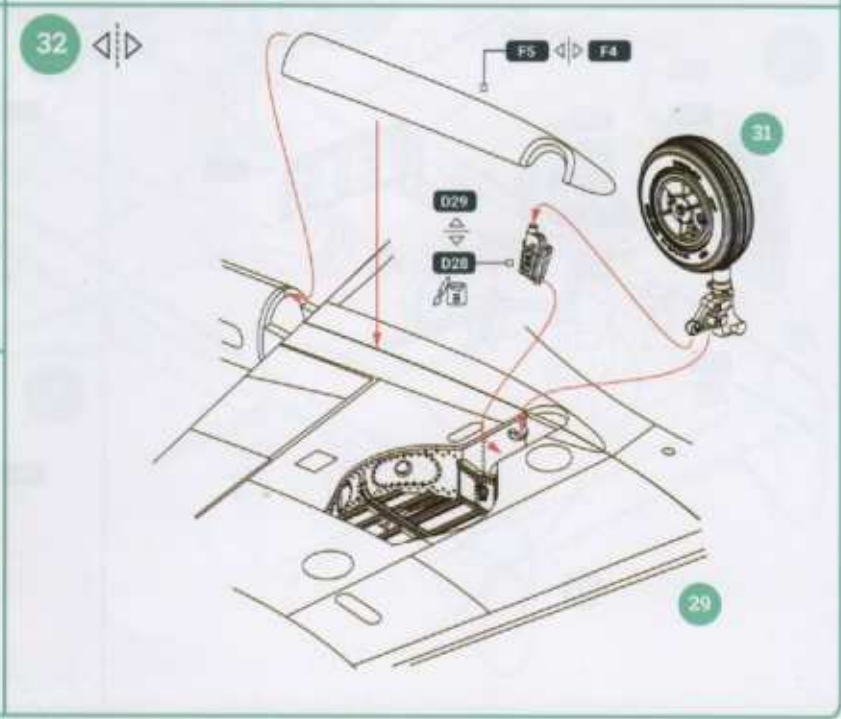
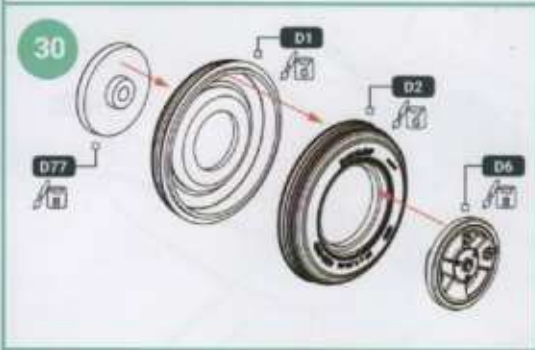
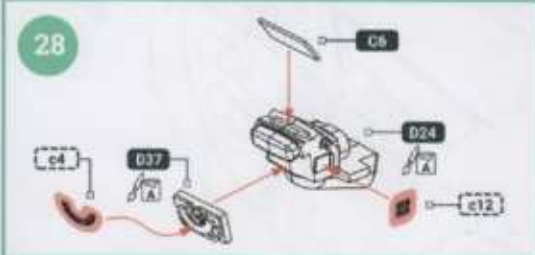
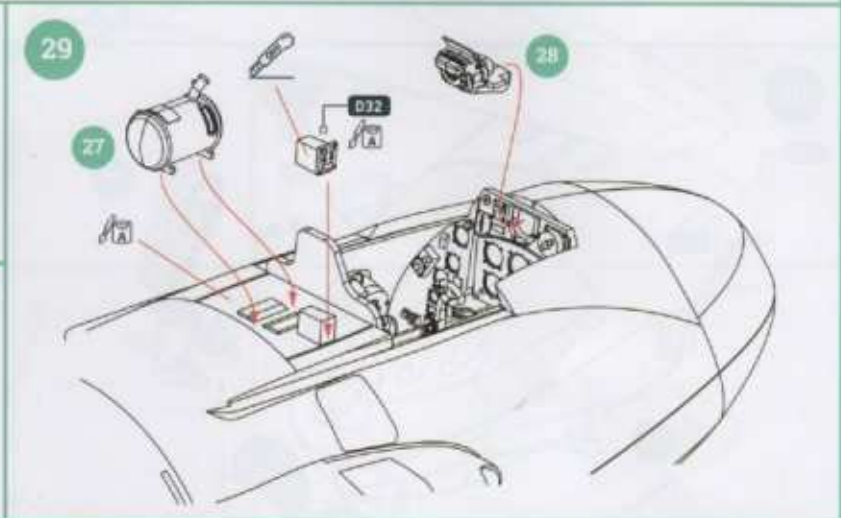
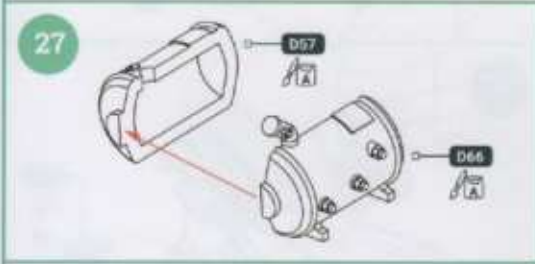
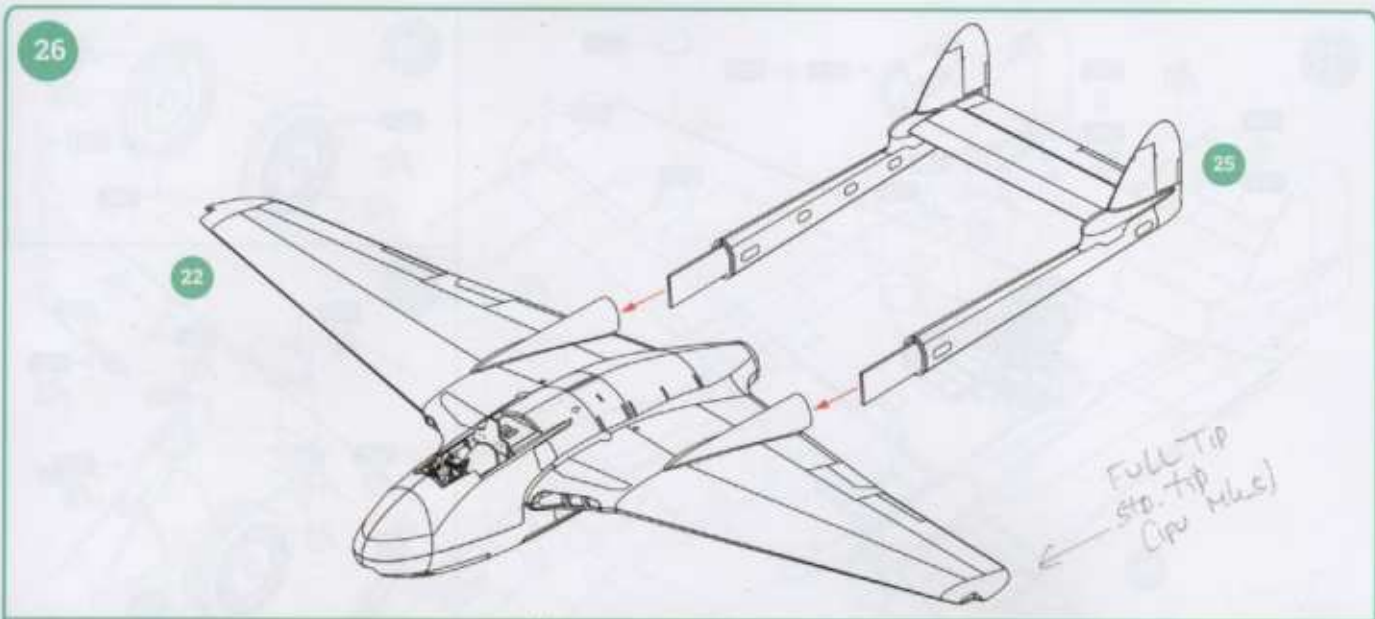


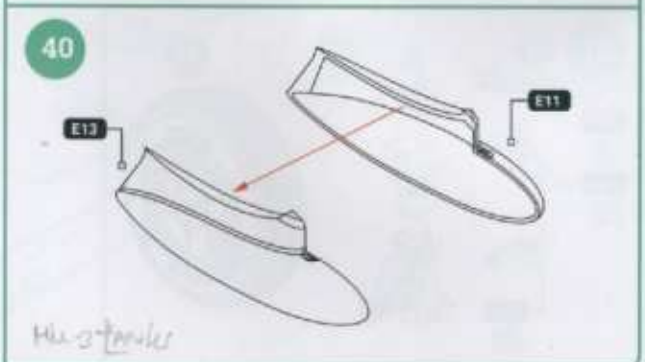
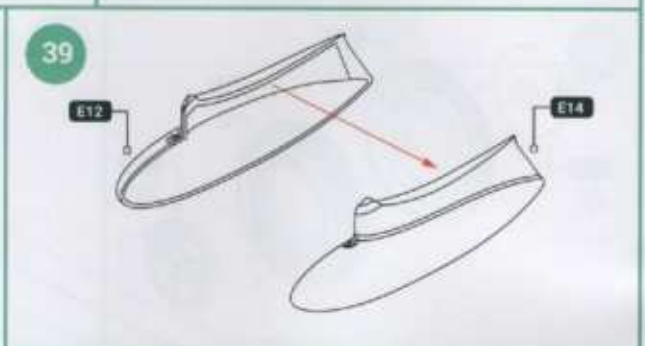
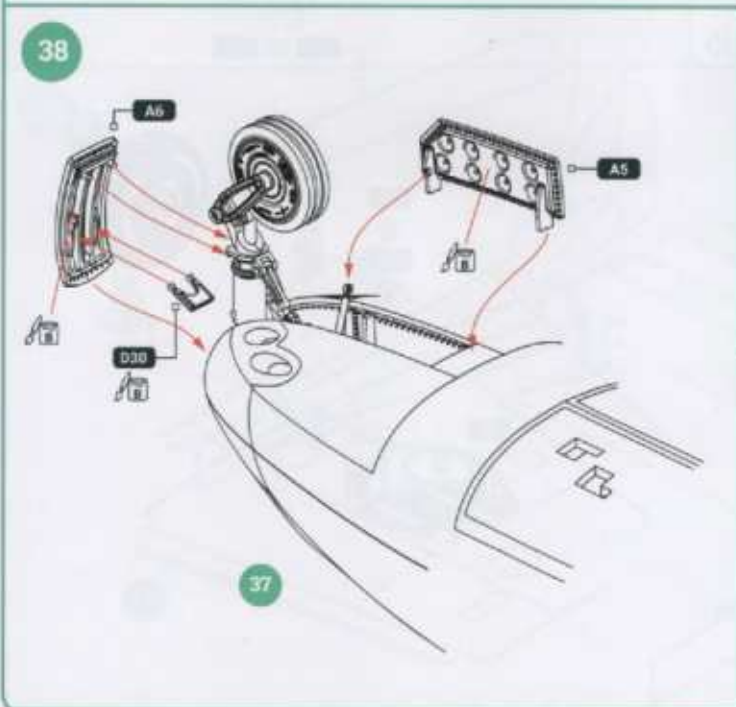
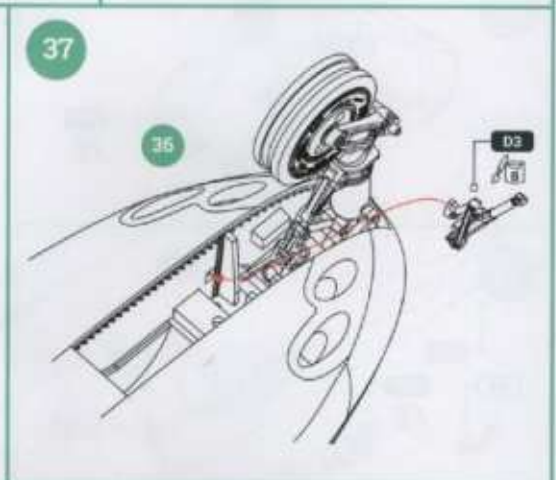
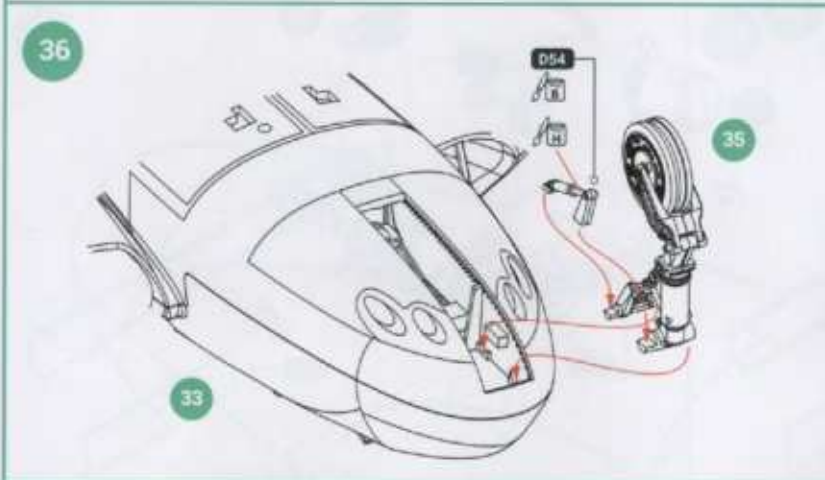
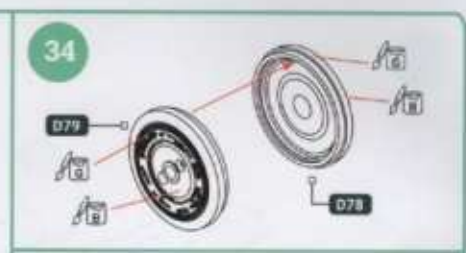
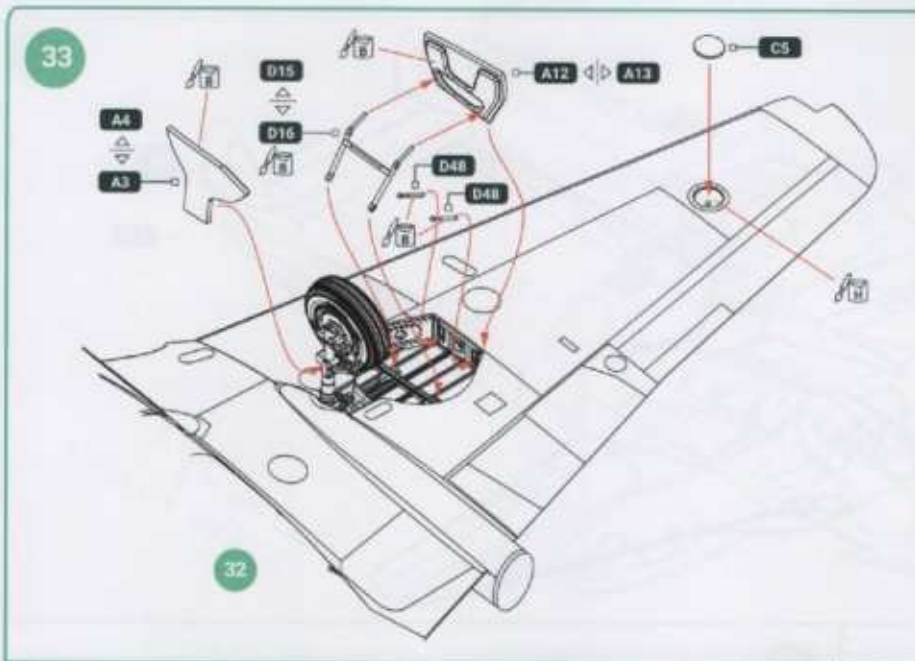


CORRECT POSITION OF
TURBINE AND CENTRAL
CONE IN EXHAUST UNIT
(ROTATED AT 8°)

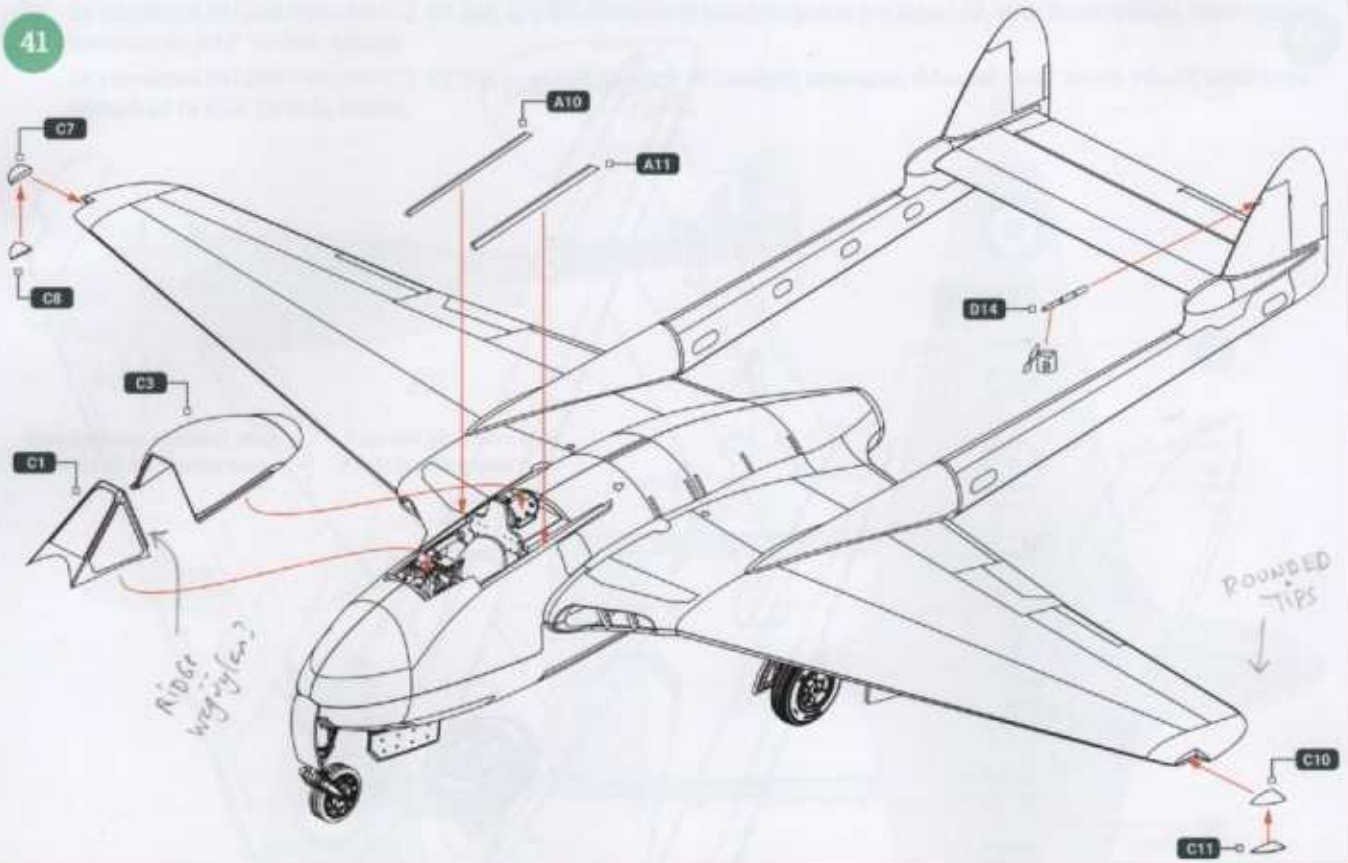




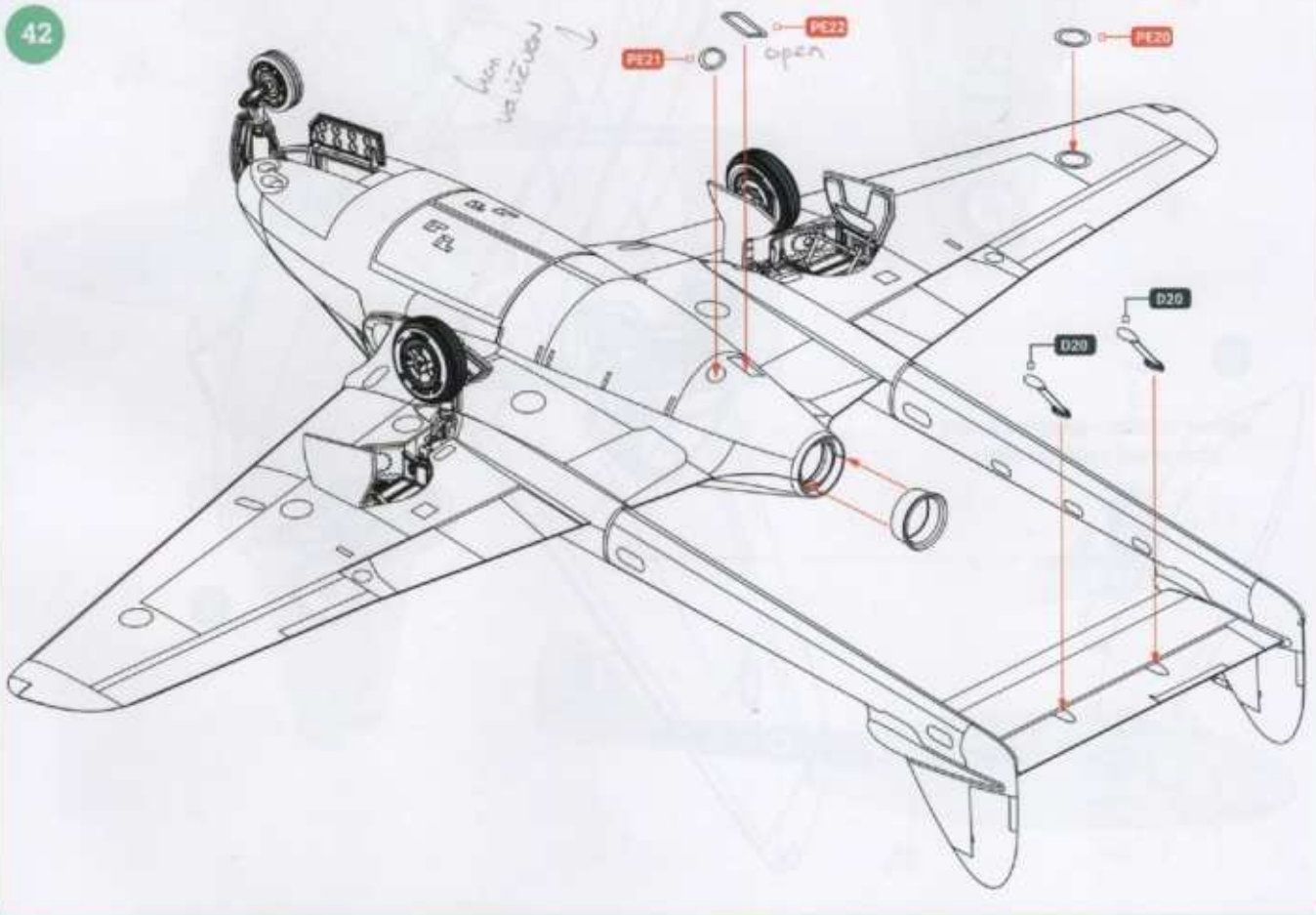




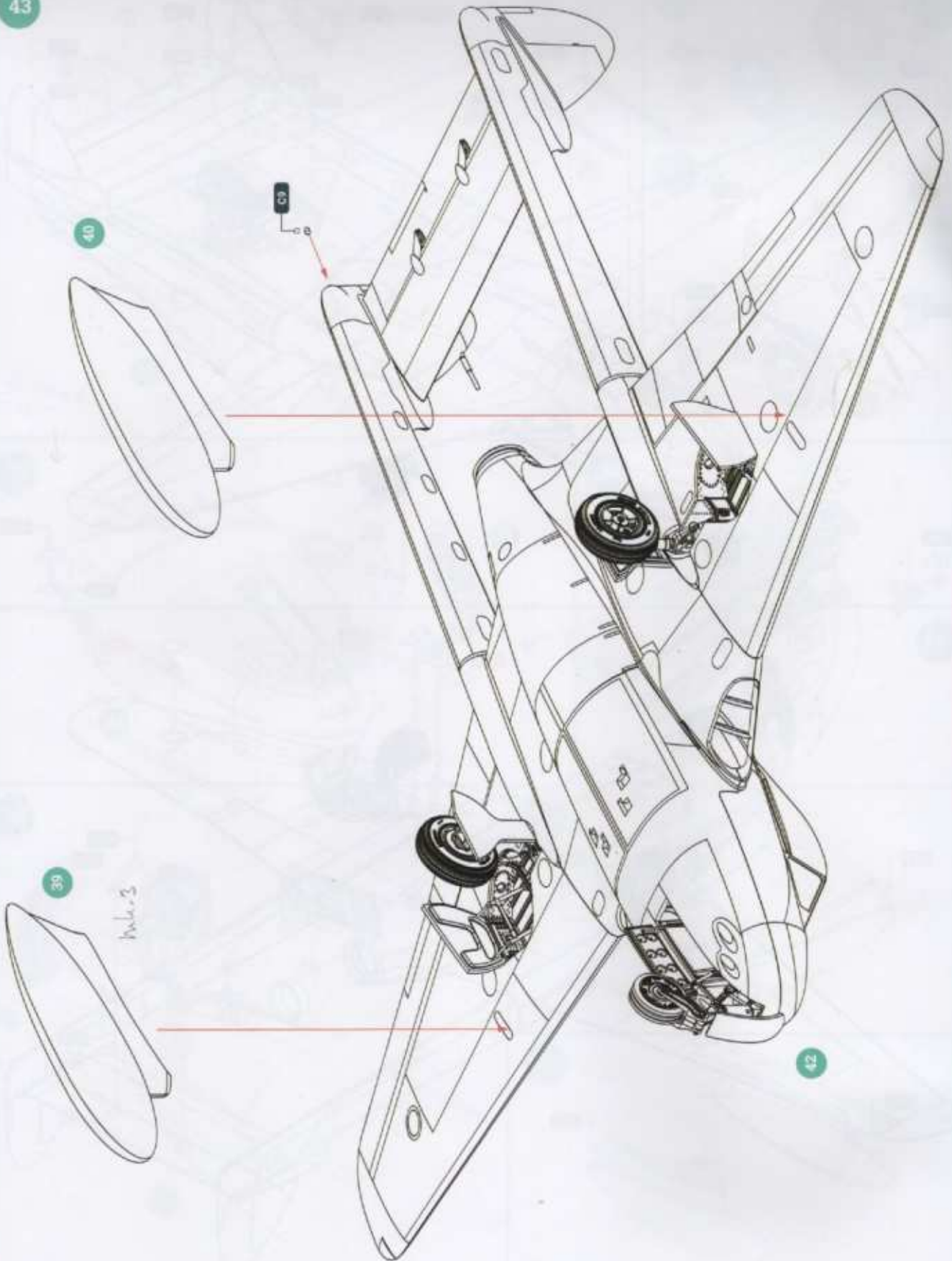
41



42



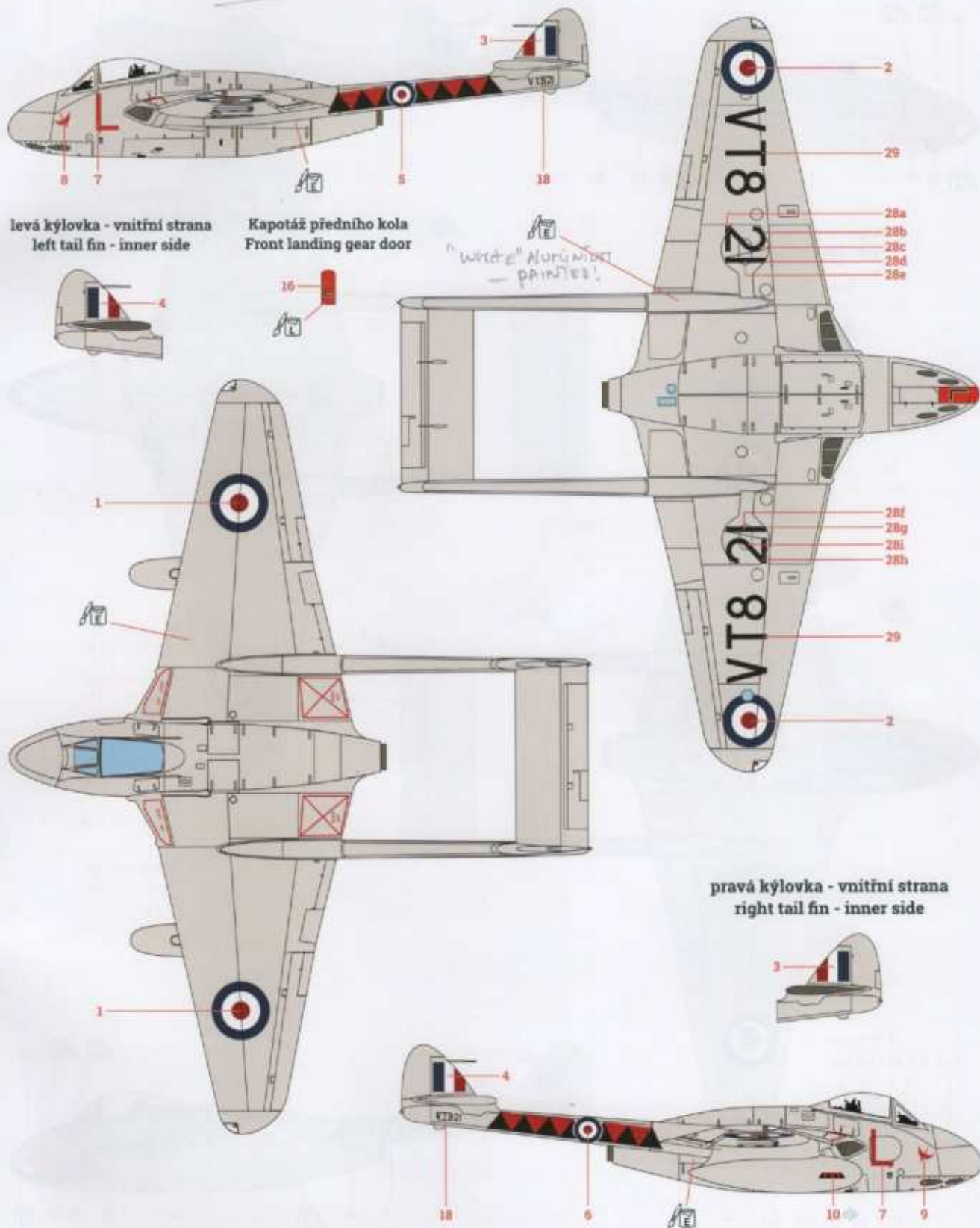
43



1

de Havilland DH 100 Vampire F.3, VT 821, L, z 601.(County of London) jednotky, RAuxAF, RAF North Weald, 1949-1952 (odvelen do RAF Ta'Qali, Malta).

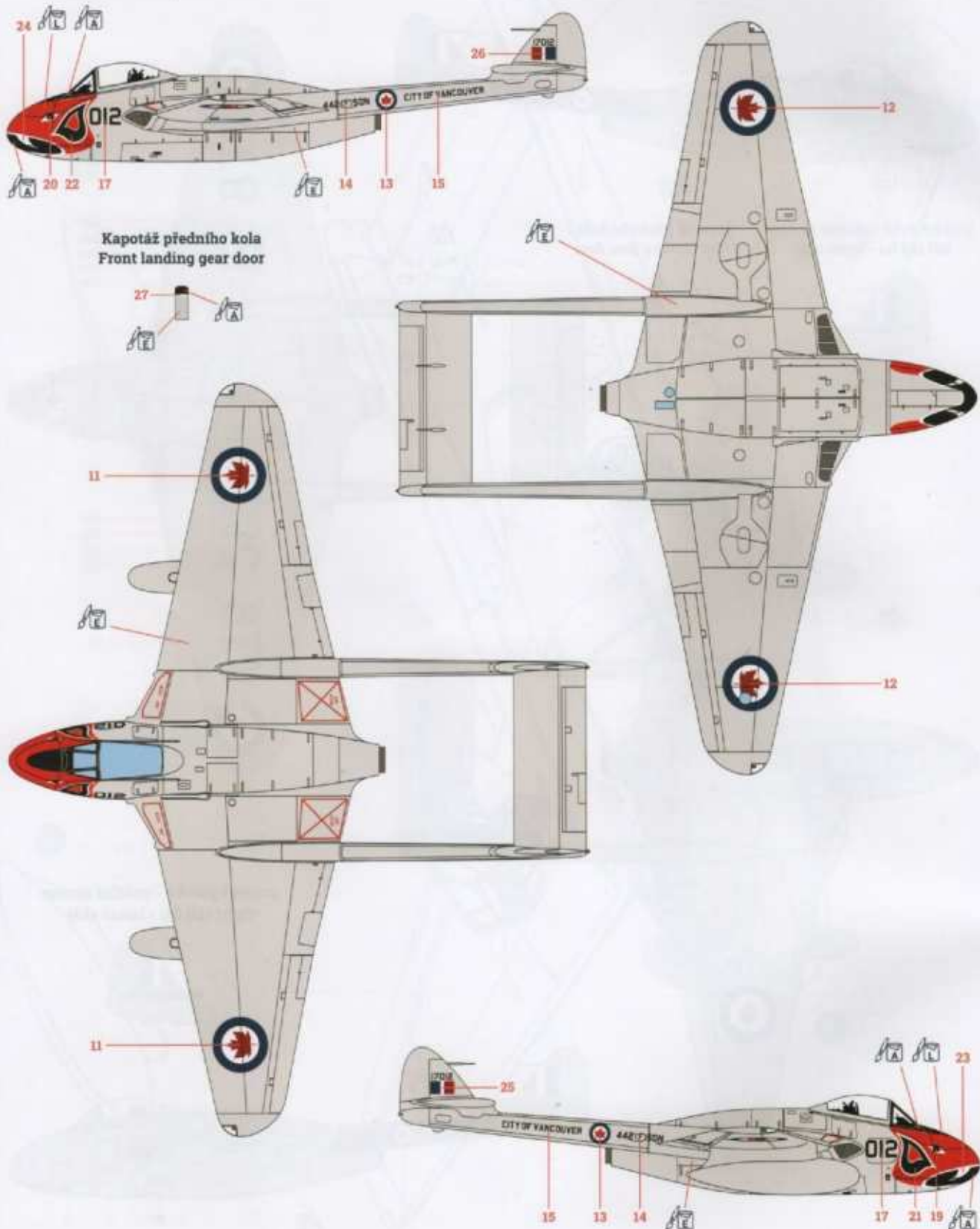
de Havilland DH 100 Vampire F.3, VT 821, L, of 601.(County of London) squadron, RAuxAF, RAF North Weald, 1949-1952 (detached to RAF Ta'Qali, Malta).



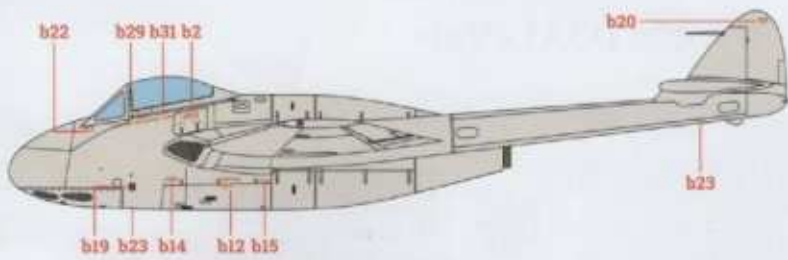
2

de Havilland DH 100 Vampire F.3, 17012, černá 012, z 442.(City of Vancouver) stíhací jednotky RCAF, základna Sea Island, British Columbia, 1948-1958.

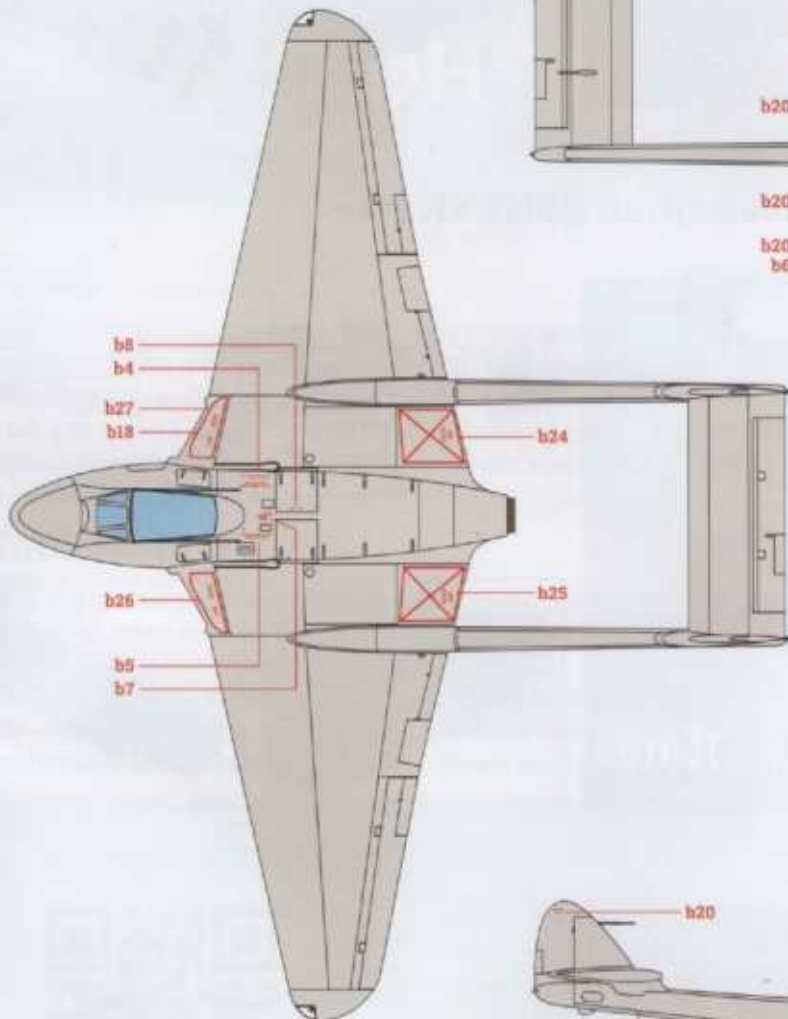
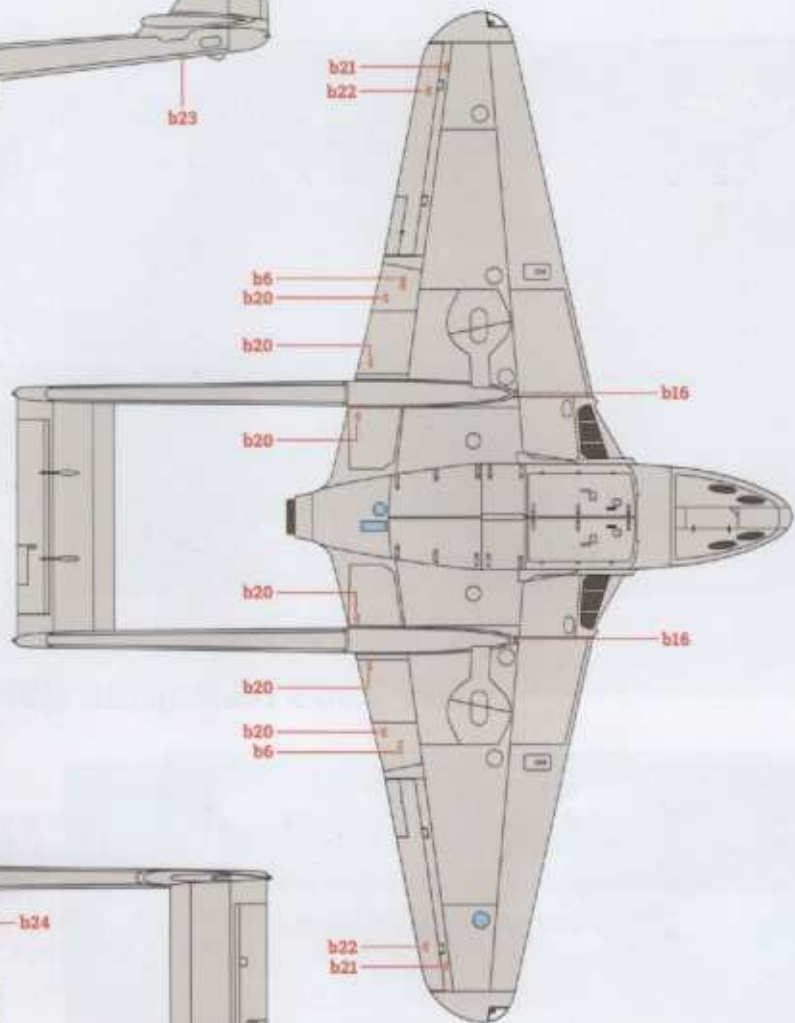
de Havilland DH 100 Vampire F.3, 17012, black 012, of 442.(City of Vancouver) fighter squadron RCAF, airbase Sea Island, British Columbia, 1948-1958.



Stencils



levá kýlovka - vnitřní strana
left tail fin - inner side



pravá kýlovka - vnitřní strana
right tail fin - inner side

